

Flat Slab Notes

- 1: Concrete and Topping
 - (A) Flat Slab concrete strength at 28 days = 50MPa, release strength to be 28MPa minimum.
 - (B) Topping concrete is to be a minimum of 25MPa at 28 days, or as specified by the engineer and a minimum of 75mm thick. Refer to engineers drawings for specified topping profile.
 - (C) Topping reinforcing as per engineers' drawings.
- 2: Seating
 - (A) It is recommended units shall be seated on McDowell bearing strip.
 - (B) End Seating
75mm Seating typical. If under 50mm on concrete or 45mm on steel please consult Stahlton.
- 3: Tolerances
 - (A) Length

Units 0 to 6 metres long	+/- 8mm
Units 6 to 12 metres long	+/-15mm
 - Width

Standard Flat Slab units	+/- 5mm
(B) Height and other Sectional Dimensions	+/- 5mm
- 4: Handling
 - (A) Units shall be stacked for storage or transport on timber dunnage positioned as per Stahlton handling detail.
 - (B) Units are to be lifted only at lifting eyes.

- 5: Temporary Propping
 - (A) Temporary propping is shown on the layout plan thus (required pre camber in millimetres). Props (0mm). Props should be in place before landing of units.
 - (B) The contractor is to design a suitable temporary propping system capable of supporting the precast units plus all construction loads.
 - (C) Props are to remain in place until topping concrete has reached 14MPa
- 6: Dimensions

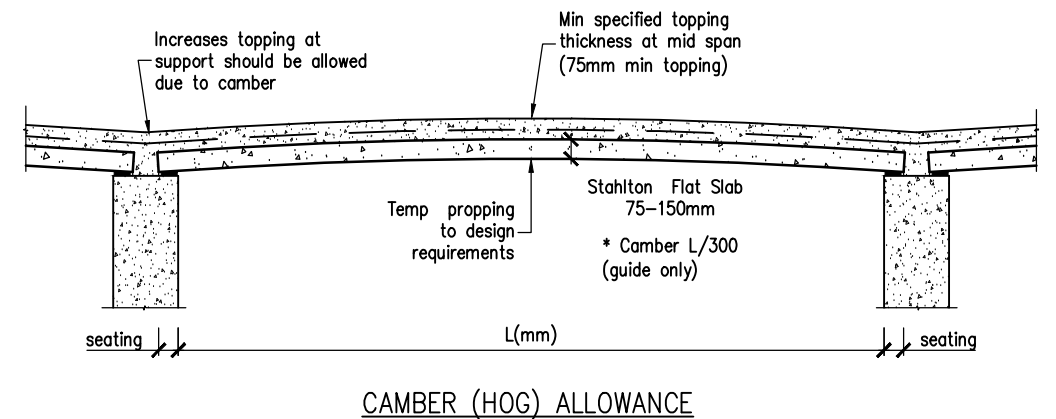
The contractor is to check and confirm dimensions of all precast units and sign approval for manufacture.
- 7: Design
 - (A) For further sectional and reinforcing details see engineers drawings.
 - (B) Design loads as shown on drawings.
- 8: Fire Ratings

FRR equals 1.0 hours
- 9: Weatherproofing

The contractor shall ensure that all weatherproofing details, including chases, drip grooves, steps, falls, water stops, watertight membranes, etc. are adequate for their purpose.
- 10: Surface Finish

Top	Light Broom Finish
Bottom (Mold Face)	F4
- 11: Penetrations

Floor penetrations for drainage fittings, service ducts, pipes, conduits etc shall be positioned to miss prestressed strands. Contact Stahlton for guidance if in doubt.



Drawn by : PvdM	Rev : A	Date : 16-02-2016	Dwg: STANDARD FLAT SLAB DETAILS
Check by :	Scale : 1:40	Flat Slab standards	