

1 2 3 4

A

B

C

D

E

F

A

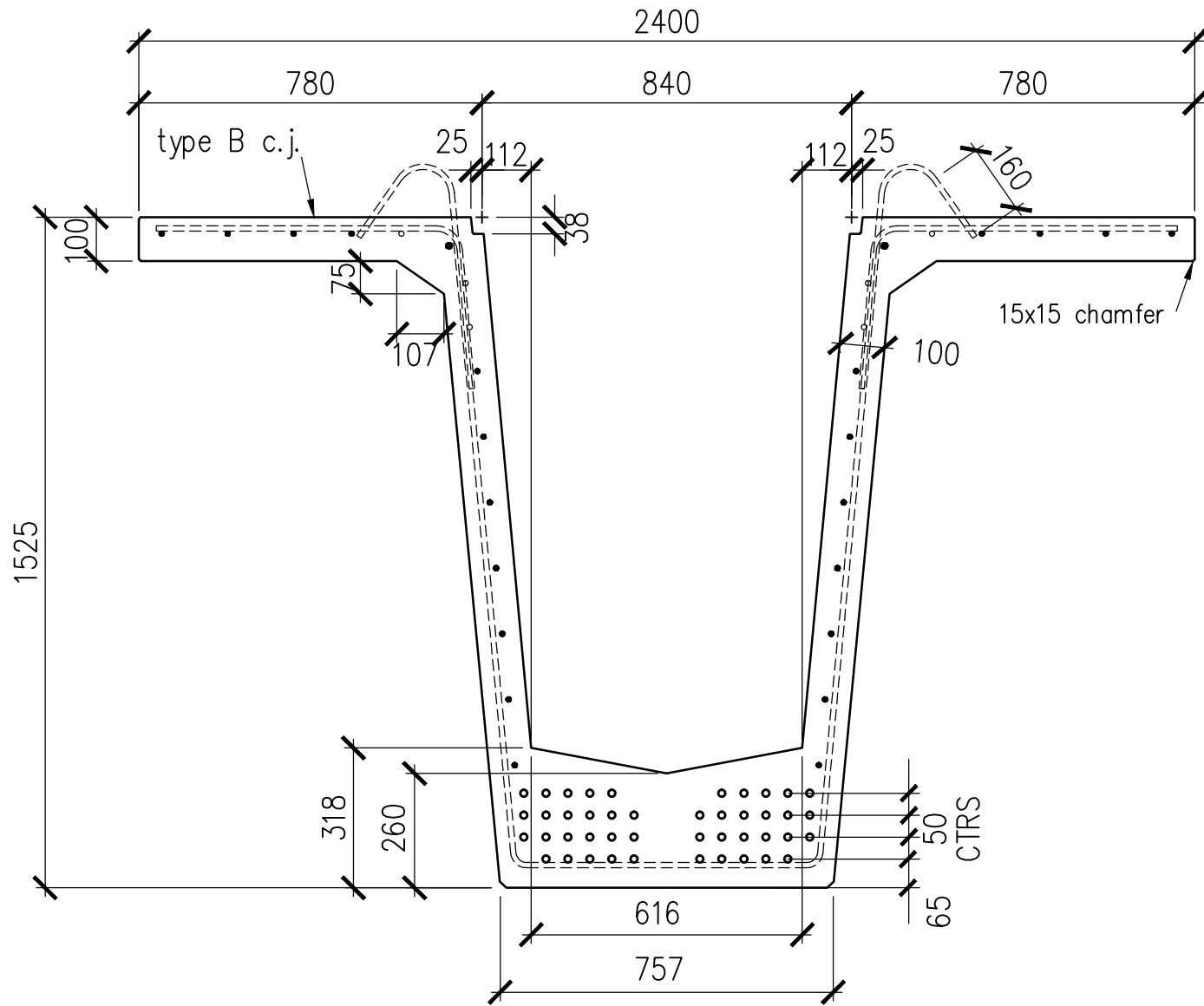
B

C

D

E

F



1525 SUPER TEE PROFILE

SCALE 1:20

Section Properties :

Area -	0.620m ²
Ix -	0.163 x 10 ¹² mm ⁴
Yb -	759mm
Zt -	213.1 x 10 ⁶ mm ³
Zb -	215.0 x 10 ⁶ mm ³
mass -	1.581 t/m

Prestressed Notes:

1. 15.2 dia 7 wire "Stress Relieved" super grade low relaxation strand meeting the requirements of ASTM A421 & A416.
2. Minimum breaking load to be 250kN
3. Minimum compressive strength at transfer of prestress shall be 30 MPa
4. Location of intermediate diaphragms can be varied to suit fabricator. Minimum of 2 diaphragms required at 8000mm max and 4500mm min spacing
5. During storage, transportation and handling girders shall be kept in an upright position and supported at not more than 500mm from ends
6. For additional information refer to NZTA Standard precast concrete bridge beams Drawings S1.01 to S1.07, S1.11 to S1.17 and S1.21 to S1.27



Drawn by:
B. Holbrook

Checked by:
J. Marshall

Scale:
1:20

Dwg:

1525 SUPER TEE

Dwg no:

ST1525

Rev:

A

Sheet:

13

1

4