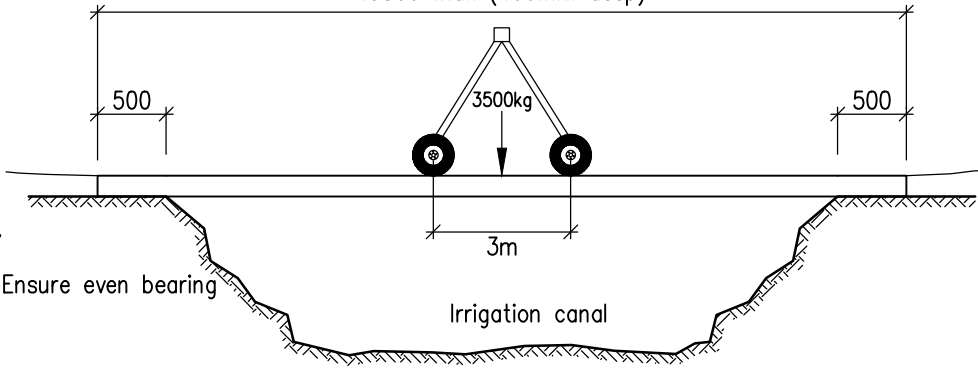
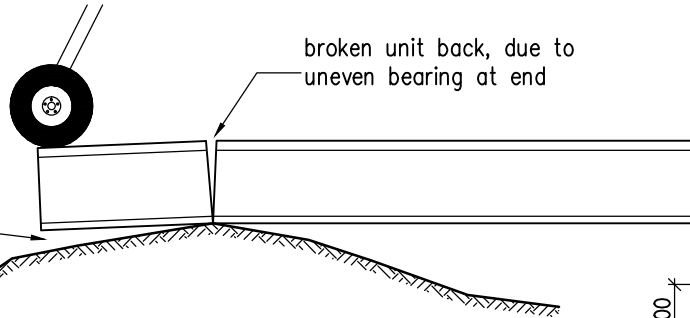


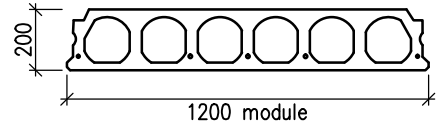
8500 max (200mm deep)
 14500 max (300mm deep)
 19500 max (400mm deep)



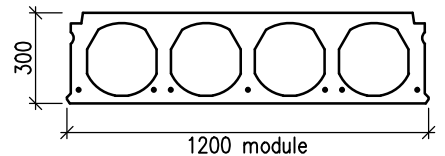
✓ Ensure even bearing



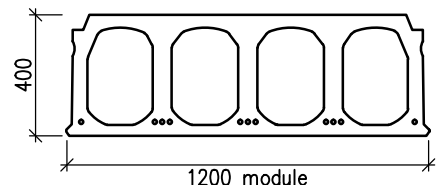
✗ bearing gap



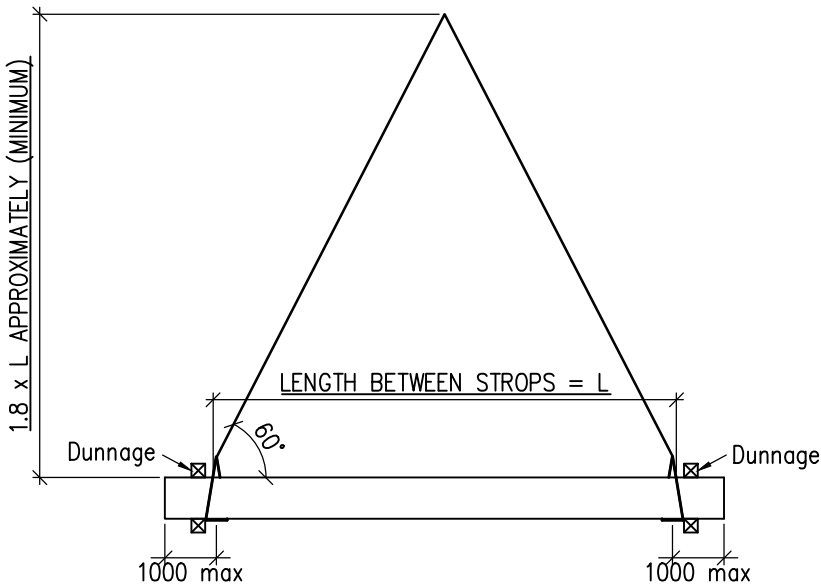
1200 module
 Weight: 330kg/m



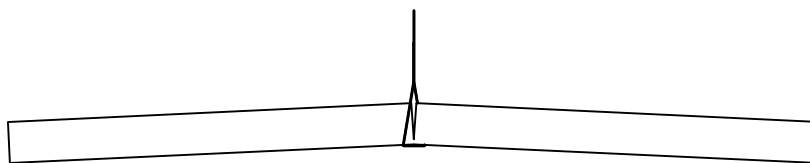
1200 module
 Weight: 450kg/m



1200 module
 Weight: 575kg/m



✓ Units must be handled at the ends



✗ Can not pick up from the middle

| Contractor | | | | |
|------------|------------------|----------|-----|------|
| Rev | Description | Date | By | Chkd |
| A | FOR CONSTRUCTION | 27/10/06 | DJS | |
| 1 | FOR CONSTRUCTION | 19/12/13 | RDH | |
| 2 | FOR CONSTRUCTION | 20/1/14 | RDH | |
| | | | | |
| | | | | |
| | | | | |
| | | | | |
| | | | | |
| | | | | |
| | | | | |



HOLLOWCORE IRRIGATOR BRIDGE

| | |
|----------------|------|
| Scales NTS | |
| Drawn DJS | |
| Date DATE | |
| Checked By DJS | |
| Job No. CHPDS | |
| B1-1 | 2 |
| Dwg No. | Rev. |