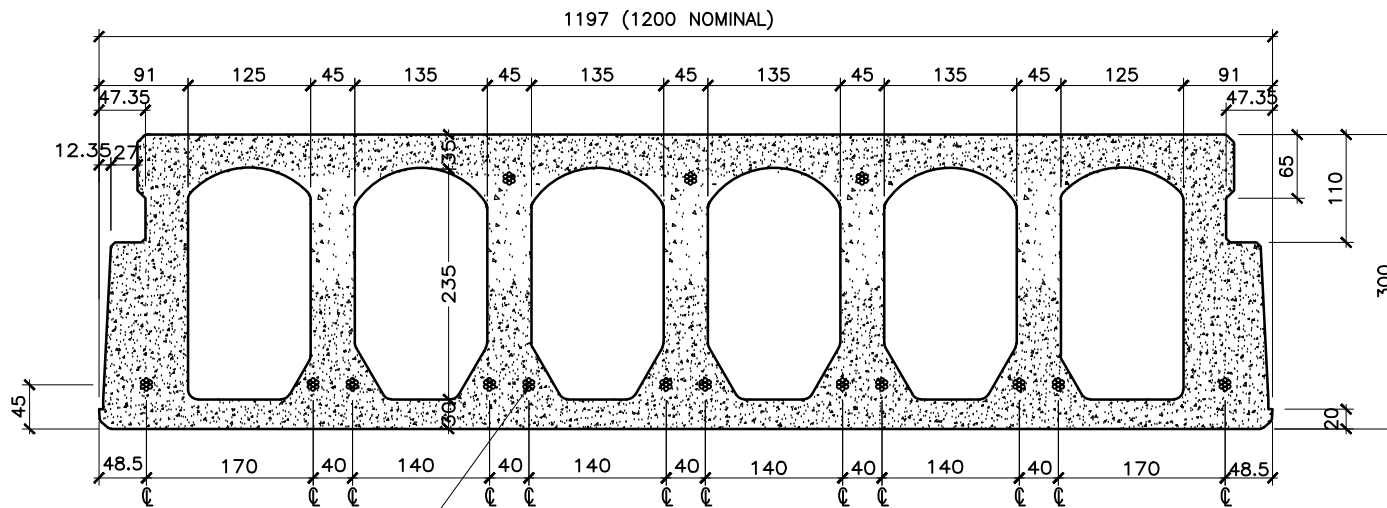
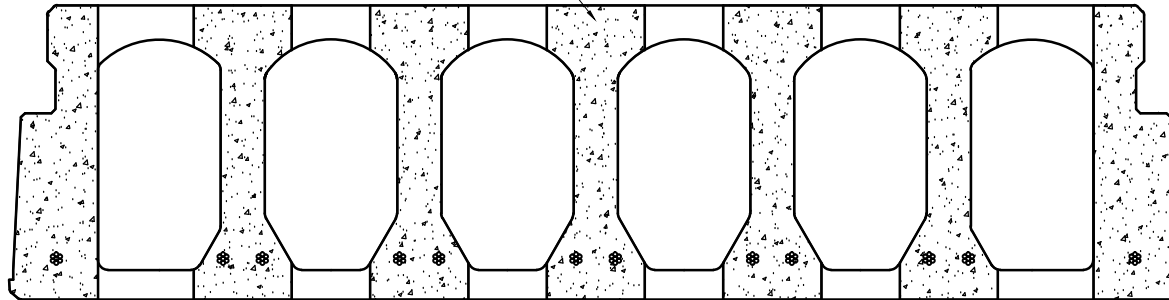


NO PENETRATIONS IN THESE ZONES



MAX 12x12.7 $\phi$  STRANDS

300 ECHO SLAB

Drawn by : EC	Rev : A	Date : 18-09-2012	Dwg: 300 DEEP HOLLOWCORE (AKL)
Check by : JM	Scale : 1:7.5	Dwg no : AKL-H300-01	