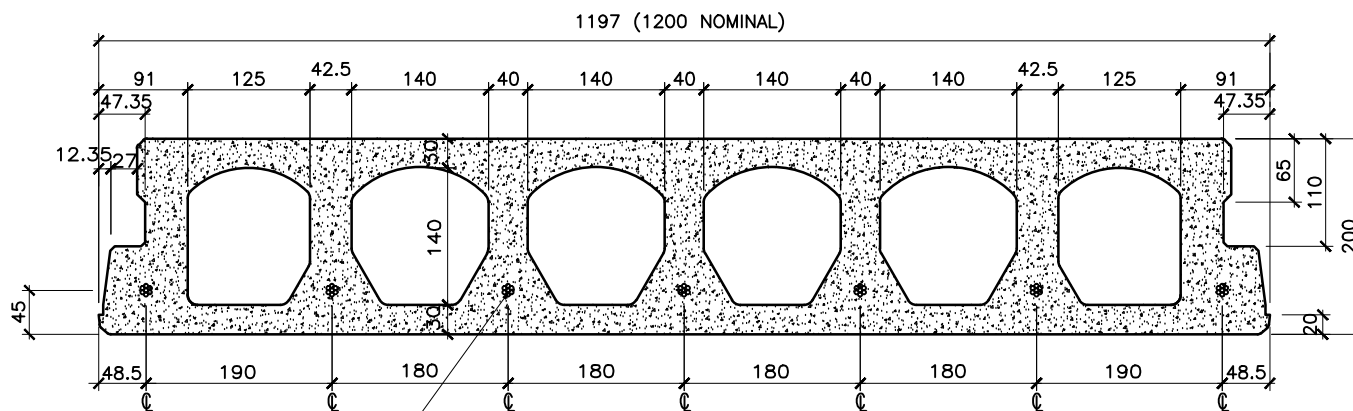
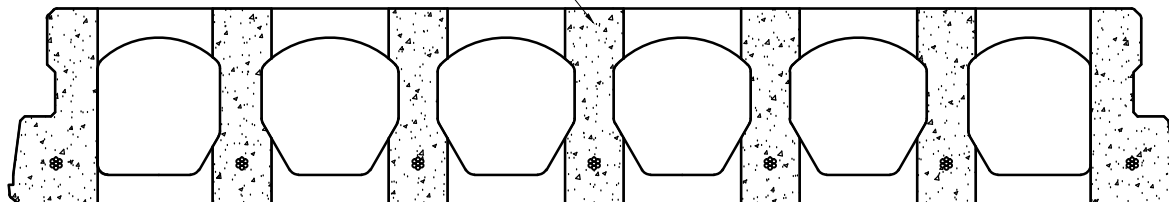


NO PENETRATIONS IN THESE ZONES



MAX 7x12.7 ϕ STRANDS

200 ECHO SLAB



www.stahlton.co.nz

Drawn by : EC	Rev : A	Date : 18-09-2012	Dwg: 200 DEEP HOLLOWCORE (AKL)
Check by : JM	Scale : 1:7.5	Dwg no : AKL-H200-01	